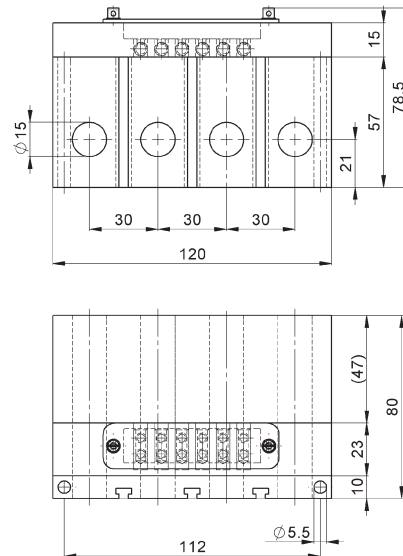
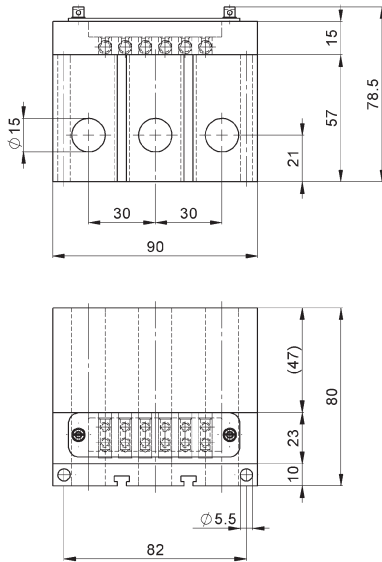


Stromwandler

Current transformer Transformateur de courant XT 2

3 und 4 Polig



Technische Daten

Höchste Betriebsspannung	0.72 kV
Prüfspannung	3 kV
Frequenz	50 Hz
Thermischer Kurzzeitstrom I _{th}	60 In/1s
Thermischer Dauerstrom I _{cth}	1.05 IN
Überlastbarkeit	5 %

Genauigkeit	Klasse 1/0.5
Bürden	1.5 / 2 VA
Sekundärstrom	5/1 A
Primärströme	60-100-150A

Klemmenbezeichnung	primär/primaire/primary	P1	P2		
Narqzage des bornes	sekundär/secondaire/secondary	L1	L2	L3	
Terminals		S1	S2	S1	S2
S1	S2				

Technical data

Highest operating voltage	0.72 kV
Test voltage	3 kV
Frequency	50 Hz
Short-time thermal current I _{th}	60n/1s
Continuous thermal current I _{cth}	1.05 IN
Permanent overload capacity	5 %

Accuracy	cl. 1/0.5
Burden	1.5 / 2 VA
Secondary currents	5/1 A
Primary currents	60-100-150 A

Spécifications

Tension max. de service	0.72 kV
Tension d'essai	3 kV
Fréquence	50 Hz
Courant de c.c. thermique I _{th}	60 In/1s
Courant therm. permanente I _{cth}	1.05 IN
Surcharge thermique	5 %

Classe de precision	cl. 1/0.5
Puissance	1.5 / 2 VA
Courants secondaires	5/1 A
Courants primaires	60-100-150 A

This document has been drawn up with the utmost care. We cannot, however, guarantee that it is entirely complete, correct or up-to-date.

© Copyright PFIFFNER / Subject to change without notice. 2020.04



Current and voltage – our passion

PFIFFNER
Messwandler AG

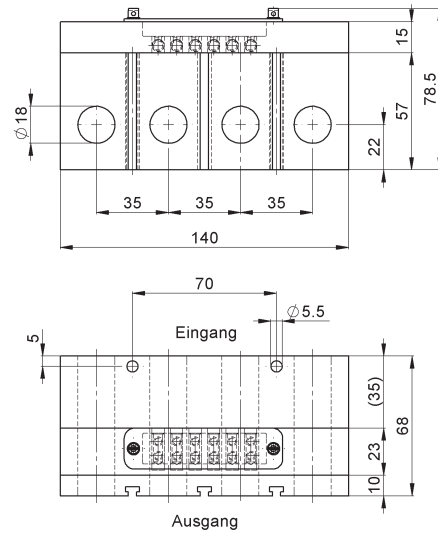
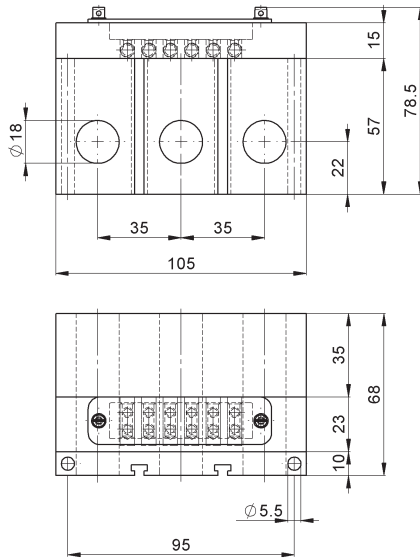
5042 Hirschthal / Suisse
www.pfiffner-group.com



Stromwandler

Current transformer Transformateur de courant XT 4

3 und 4 Polig



Technische Daten

Technical data

Spécifications

Höchste Betriebsspannung	0.72 kV	Highest operating voltage	0.72 kV	Tension max. de service	0.72 kV
Prüfspannung	3 kV	Test voltage	3 kV	Tension d'essai	3 kV
Frequenz	50 Hz	Frequency	50 Hz	Fréquence	50 Hz
Thermischer Kurzzeitstrom I _{th}	60 In/1s	Short-time thermal current I _{th}	60n/1s	Courant de c.c. thermique I _{th}	60 In/1s
Thermischer Dauerstrom I _{cth}	1.05 IN	Continuous thermal current I _{cth}	1.05 IN	Courant therm. permanente I _{cth}	1.05 IN
Überbelastbarkeit	5 %	Permanent overload capacity	5 %	Surcharge thermique	5 %
Genauigkeit	Klasse 0.5S	Accuracy	cl. 0.5S	Classe de precision	cl. 0.5S
Bürden	2 V A	Burden	2 V A	Puissance	2 V A
Sekundärstrom	1.05 IN	Secondary currents	1.05 IN	Courants secondaires	1.05 IN
Primärströme	200-300 A	Primary currents	200-300 A	Courants primaires	200-300 A
Klemmenbezeichnung	primär/primaire/primary		P1	P2	
Narqzage des bornes	sekundär/secondaire/secondary		L1	L2	L3
Terminals			S1	S2	S1 S2
S1					
S2					

This document has been drawn up with the utmost care. We cannot, however, guarantee that it is entirely complete, correct or up-to-date.

© Copyright PFIFFNER / Subject to change without notice. 2020.08



Current and voltage – our passion

PFIFFNER
Messwandler AG

5042 Hirschthal / Suisse
www.pfiffner-group.com

HV HIGH VOLTAGE

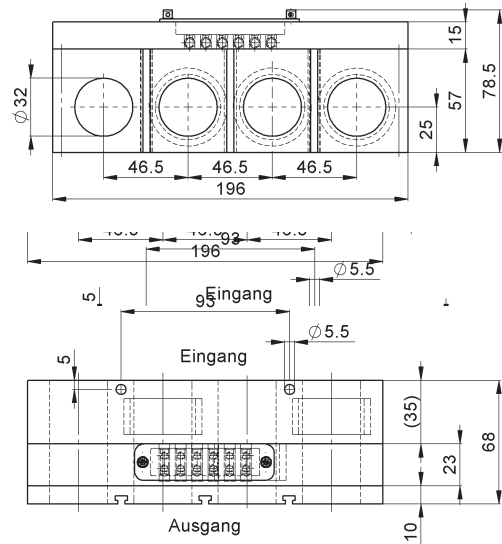
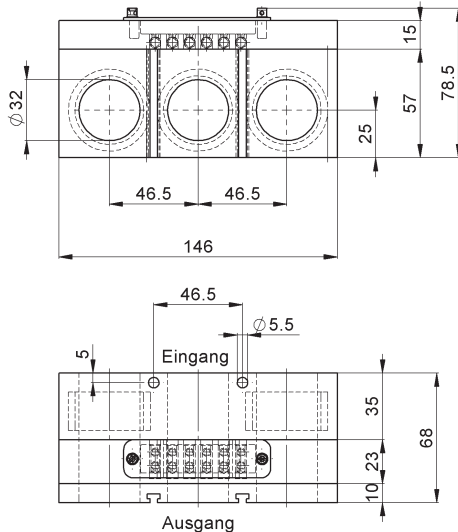
MV MEDIUM VOLTAGE

LV LOW VOLTAGE

Stromwandler

Current transformer Transformateur de courant XT 5

3 und 4 Polig



Technische Daten

Höchste Betriebsspannung	0.72 kV
Prüfspannung	3 kV
Frequenz	50 Hz
Thermischer Kurzzeitstrom I _{th}	60 In/1s
Thermischer Dauerstrom I _{cth}	1.05 IN
Überlastbarkeit	5 %
Genauigkeit	Klasse 0.5S
Bürden	2 V A
Sekundärstrom	1.05 IN
Primärströme	300-400-600 A

Technical data

Highest operating voltage	0.72 kV
Test voltage	3 kV
Frequency	50 Hz
Short-time thermal current I _{th}	60n/1s
Continuous thermal current I _{cth}	1.05 IN
Permanent overload capacity	5 %
Accuracy	cl. 0.5S
Burden	2 V A
Secondary currents	1.05 IN
Primary currents	300-400-600 A

Spécifications

Tension max. de service	0.72 kV
Tension d'essai	3 kV
Fréquence	50 Hz
Courant de c.c. thermique I _{th}	60 In/1s
Courant therm. permanente I _{cth}	1.05 IN
Surcharge thermique	5 %
Classe de precision	cl. 0.5S
Puissance	2 V A
Courants secondaires	1.05 IN
Courants primaires	300-400-600 A

Klemmenbezeichnung	primär/primaire/primary	P1	P2		
Narqzage des bornes	sekundär/secondaire/secondary	L1	L2	L3	
Terminals		S1	S2	S1	S2
S1	S2				

This document has been drawn up with the utmost care. We cannot, however, guarantee that it is entirely complete, correct or up-to-date.
© Copyright PFIFFNER / Subject to change without notice. 2020.04



Current and voltage – our passion

PFIFFNER
Messwandler AG

5042 Hirschthal / Suisse
www.pfiffner-group.com

HV HIGH VOLTAGE

MV MEDIUM VOLTAGE

LV LOW VOLTAGE