

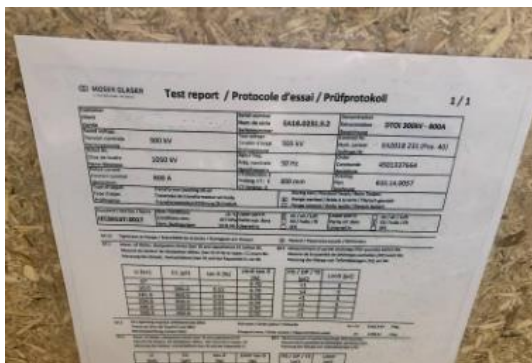


## Bushing unpacking and lifting

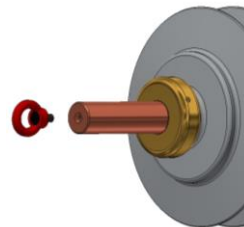
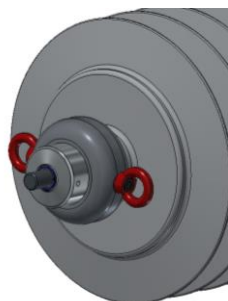
Open the crate and remove the rafters  
 Check all material against packing list  
 Remove all components



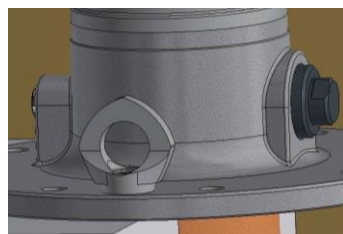
Check / Remove all the documents



Open the protective foil and slip it off up to the flange.  
 Fix eyebolts on the top of the bushing and on the flange.  
 Small bushing can be lifted by hand.

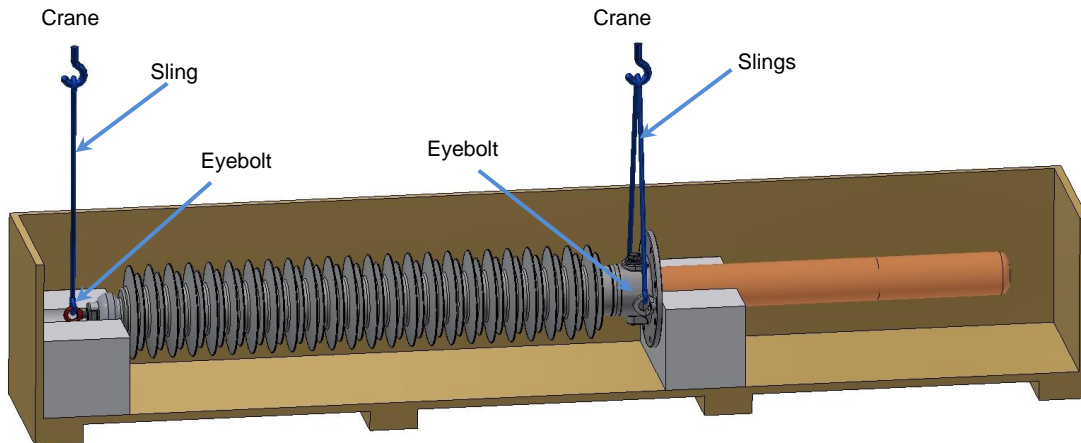


or

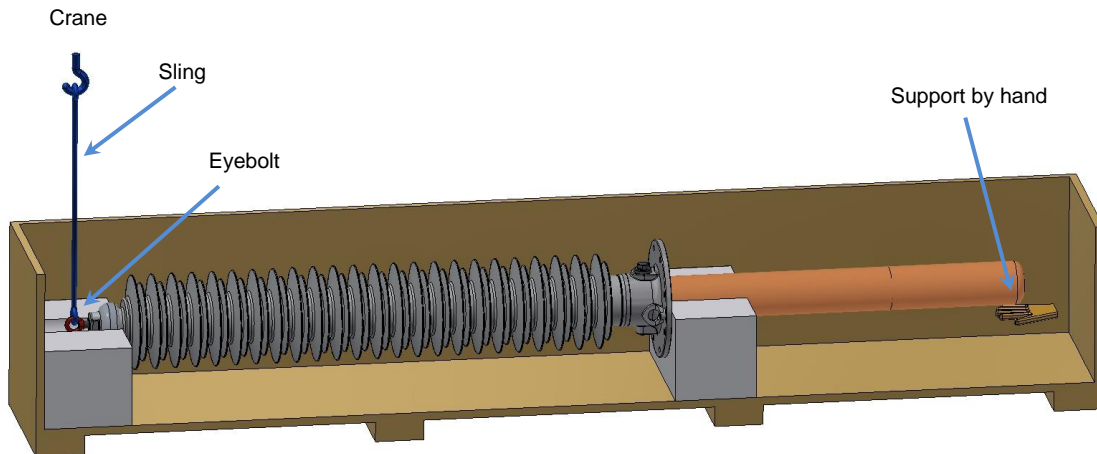




### Use slings and fix them on the eyebolts – Lift the bushing with a crane



### Average bushing could be supported by hand on the oil side



### Lifting the bushing vertically Don't remove the protections until assembling the bushing on the transformer

