

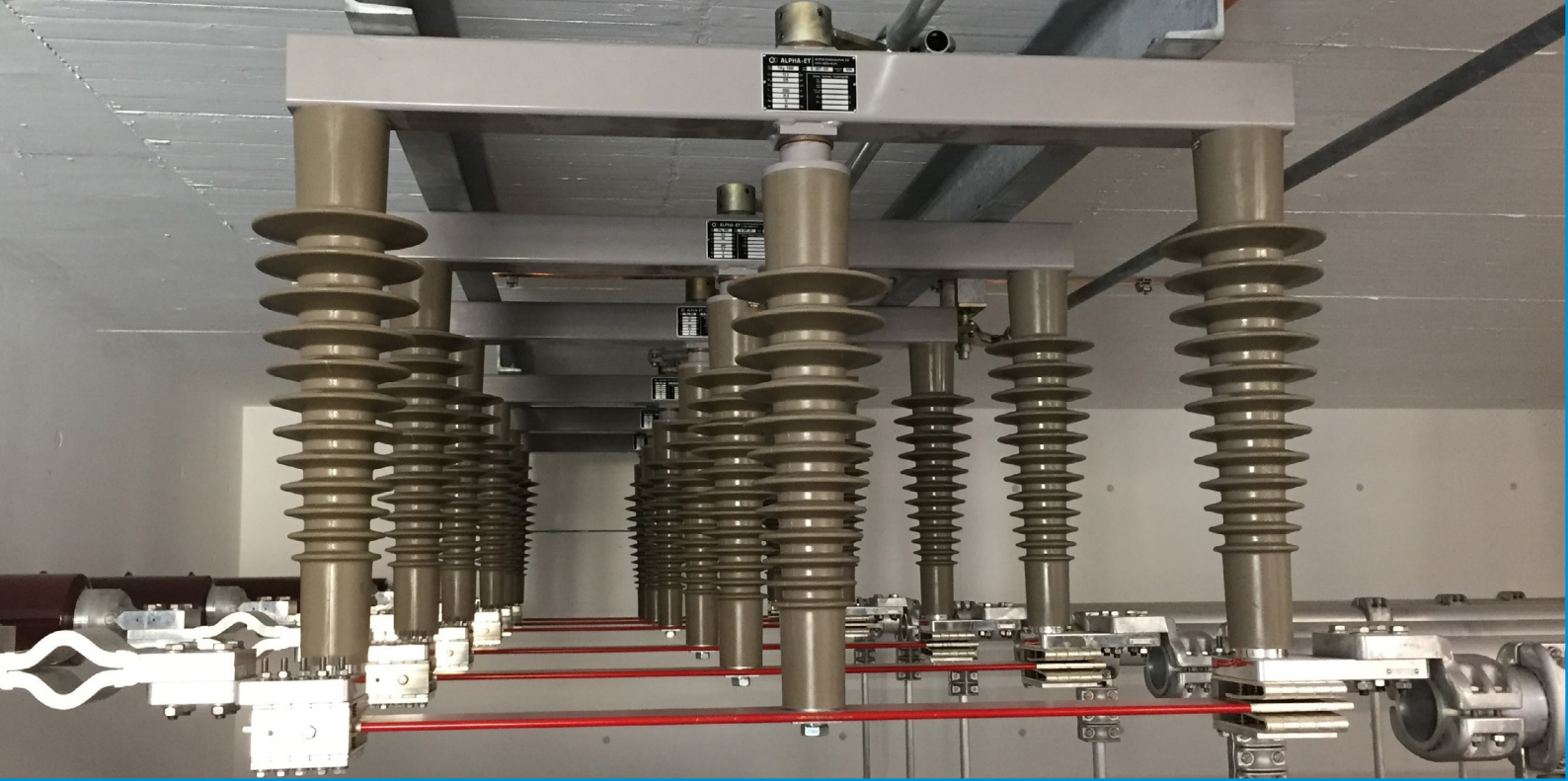
DISCONNECTORS

TID(E, EE)g - Indoor Disconnectors



ALPHA-ET

Current and voltage – our passion



General description

Indoor Double Break Disconnectors Type TID(E, EE)g are available for rated currents from 400 A up to 3150 A and short circuit currents up to 125/50kA, 1s.

The temperature rise of the current carrying parts is not higher than allowed in IEC norm ($t = 75 \text{ K}$). The solidly built poles are attached to the supporting rail with suitable installation on the floor, on the wall or on the ceiling. The supporting insulators are made of casted resin with sheds.

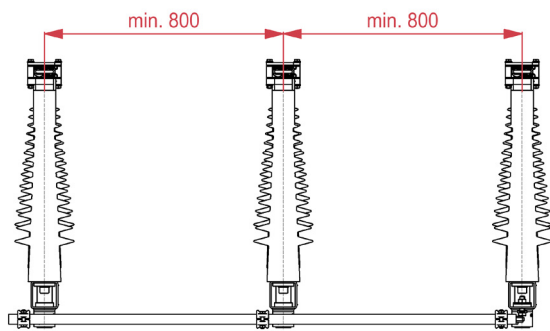
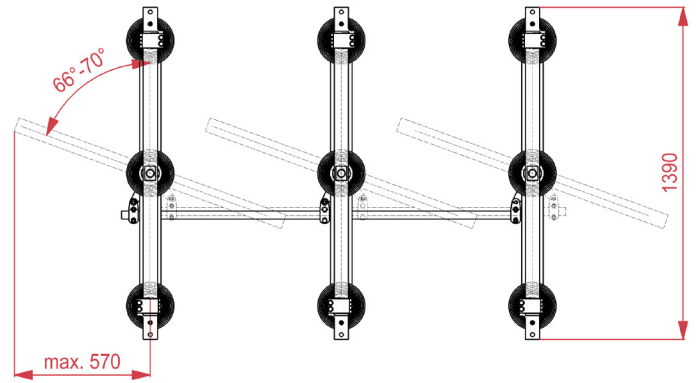
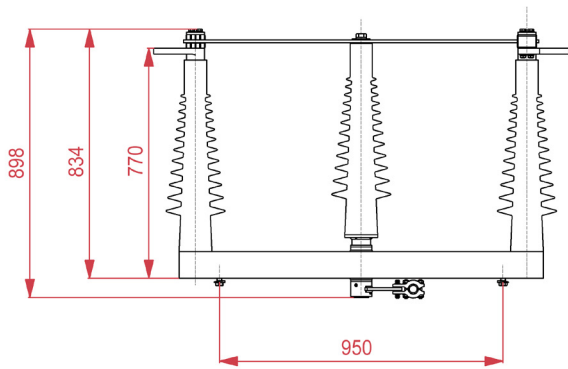
One or two earthing switches for the same short circuit current ratings, as the main disconnectors, can be mounted. The three poles of the disconnectors and those of the earthing switches, are linked. They may be driven by motor drives type M59 or by hand drives type B293.

Both drives can be installed in a control panel. Motor or hand drives can also be installed in the same height as the disconnecter. In this case an insulated rod is needed for the emergency hand operation. Auxiliary switches for the remote control and interlocks are installed in the drives.

Benefits TID(E, EE)g

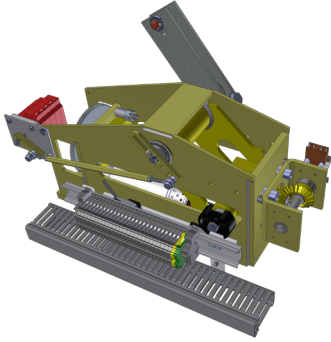
- Very compact and high safety design for indoor use
- With possibility to integrate one or two earthing switches
- Space and cost saving design
- Mounting on the floor, wall or ceiling
- Type tested acc. to IEC 62271-102
- Proven design by leading contractors
- With motor drive type M59 or hand drive type B293
- Short installation and assembly time
- 72.5kV
- up to 3150A
- up to 125/50kA
- Earthing switch type Elg as an option
- Swiss Quality

Technical data



Type		TID(E, EE)g
Rated voltage	kV	72.5
Rated frequency	Hz	50
Rated current	A	1600 / 2000 / 2500 / 3150
Rated short-circuit current I_k	kA	31.5 / 40 / 50
Rated short-circuit time	s	1
Rated peak withstand current	A	$2.5 \times I_k$
Rated power frequency withstand voltage 50Hz / 1s	kV	140 / 160
Rated lightning impulse withstand voltage 1.2/50 μ s	kV	325 / 375
Operating temperature	°C	-5 ... +40

Highlights



M59

- Motor drive
- DC: 48 - 220VDC
- AC: 230 - 400VAC
- 70° or 90°



Elg

- Earthing switch
- Indoor
- I_k : 80/31.5kA - 100/40kA



References

TID(E, EE)g

- ABB Denmark
- ABB Norway
- GE Grid Switzerland
- RST Net Island
- ABB Switzerland
- Repower Switzerland
- Rätia Energy Switzerland
- FMV SA Switzerland
- Groupe E Switzerland

Elg

- ABB Norway
- ABB Switzerland
- Romandie Energie Switzerland
- Air Parts Netherlands



ALPHA-ET

Current and voltage – our passion

ALPHA Elektrotechnik AG

Schlossstrasse 13
2560 Nidau / Switzerland

+41 32 3328700
mail@alpha-et.ch
www.alpha-et.ch

Member of PFIFFNER Group

This document has been drawn up with the utmost care. We cannot, however, guarantee that it is entirely complete, correct or up-to-date.

© Copyright ALPHA-ET
subject to change without notice 2019.02

ROLLING STOCK



DISCONNECTORS

