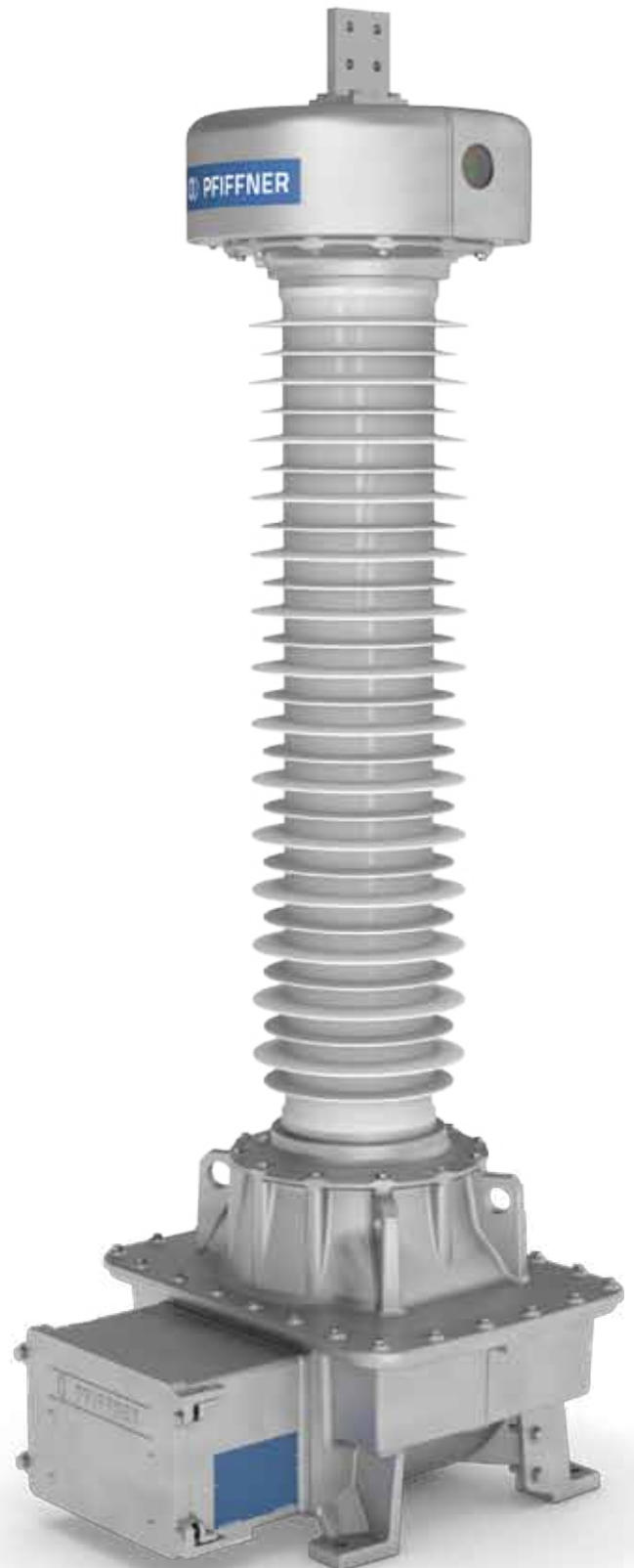


Inductive voltage transformers

Outdoor operation
Oil-paper insulated

EOF (24–245) kV



PFIFFNER

Current and voltage – our passion



General description

Voltage transformers type EOF are used in high voltage networks within the 24–245 kV range. They transform high voltage into standardised values for meters, measuring and protection devices.

The active part of the voltage transformer is located in the foot housing. The high voltage insulation is implemented in oil-paper technology. To achieve this, a high quality PCB-free mineral oil is used. The fine graded bushing is inside the insulator.

The expansion system is located in the head of the voltage transformer. This unit acts as volume compensation for the oil in case of temperature variations. For voltage transformers of 24–72 kV, a highly flexible, temperature-resistant membrane made from fluoroelastomers (VITON®) is used. Voltage transformers > 72 kV have an expansion cell made of stainless steel. The oil expansion is indicated by a mechanical system in the window of the bellows cover.

All metal housings and flanges are made from a corrosion resistant aluminium alloy. These parts can be colour coated on request.

All voltage transformers have either a high-quality porcelain or a high-grade silicone composite insulator. Different creepage

distances are available according to the different pollution classes, as specified in the standards.

The hermetic sealed housing protects the oil-paper insulation against atmospheric influences.

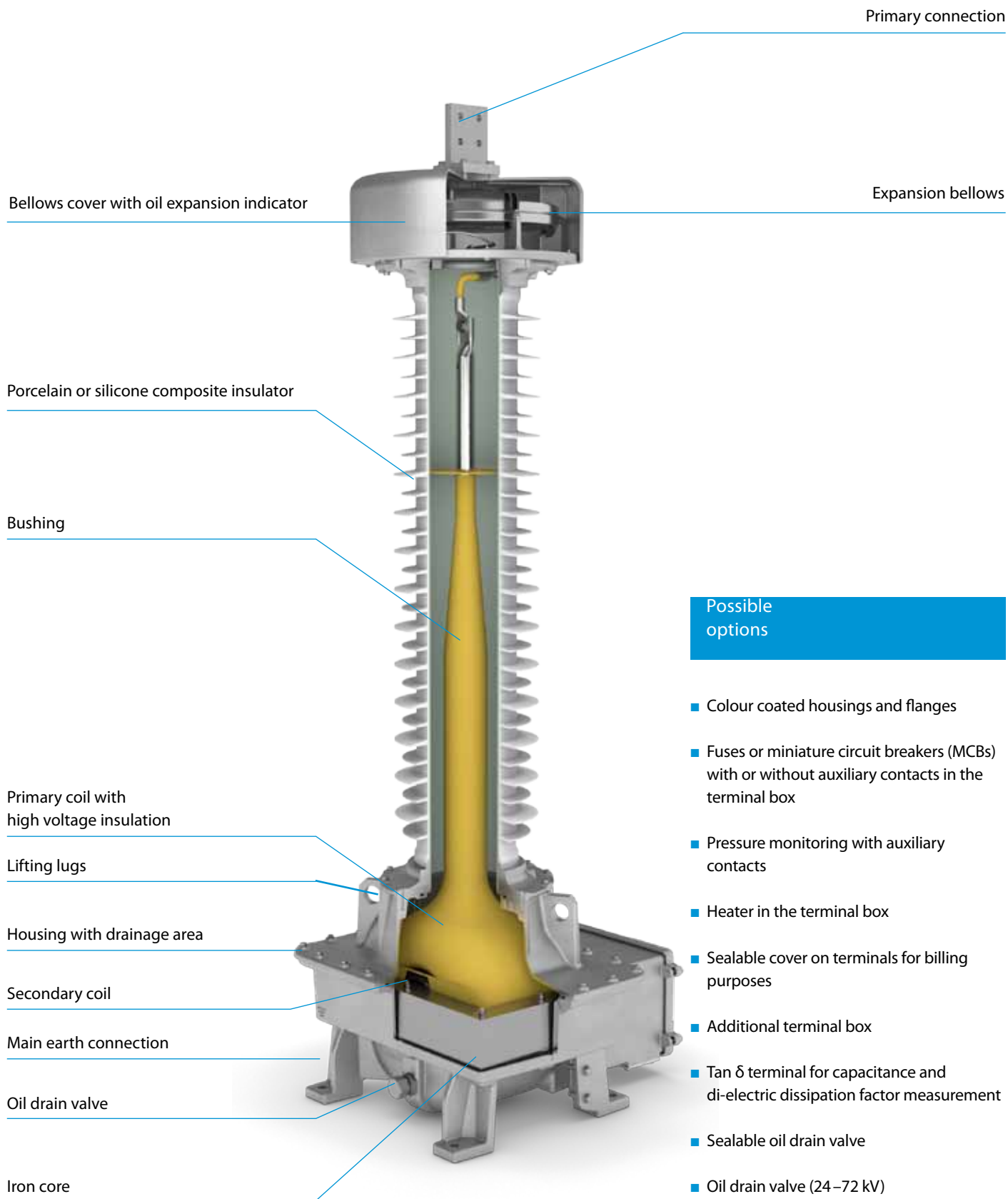
The generously sized terminal box has a cover which can be opened sideways. This allows easy connection of the secondary cables. The terminal box has a flange without holes by default. Cable glands, circuit diagram and individual safety instructions can be preinstalled on request.



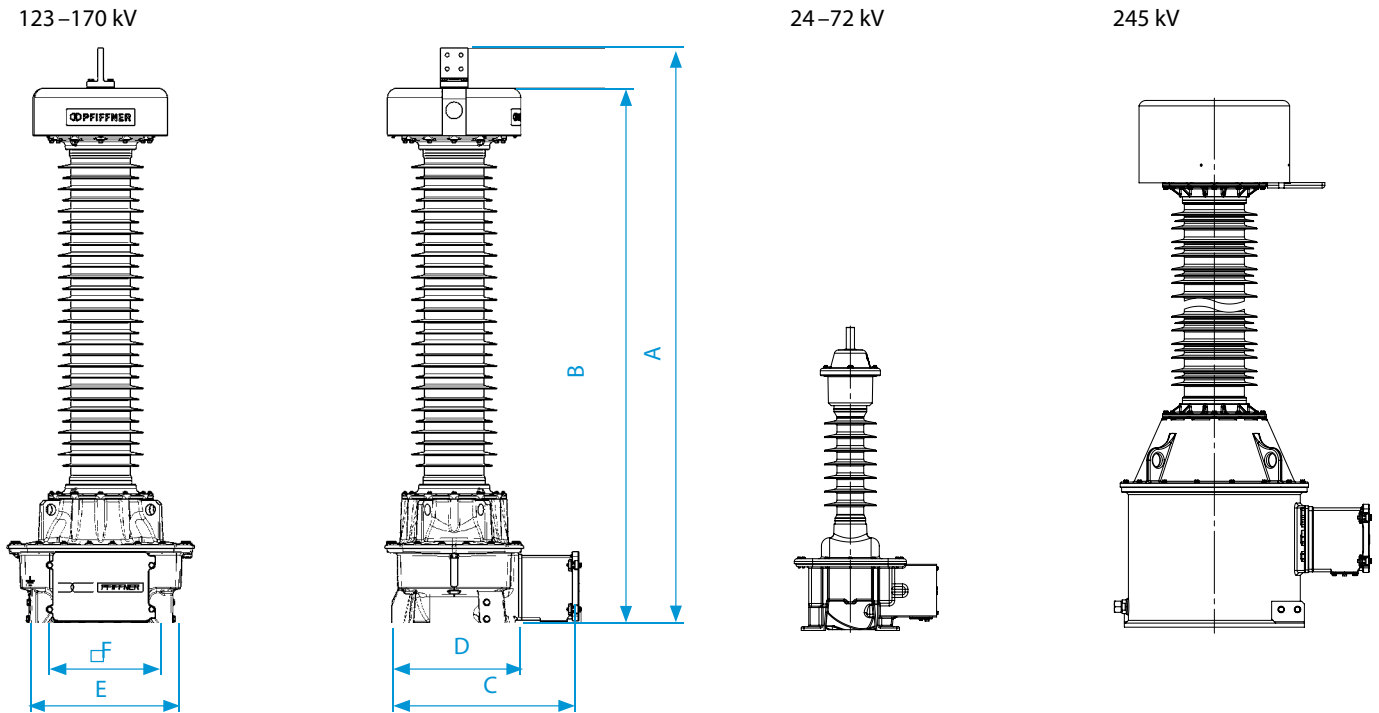
Advantages of inductive voltage transformers

- Protection of the secondary winding from transient overvoltages in the high-voltage network through capacitively coupled shielding
- Protection against occurring ferroresonance through low operating inductance in the iron core
- High operating safety as there are no active parts in the insulator
- Minimum oil volume through optimised design

Design



Technical data



Type EOF		24	36	52	72	123	145	170	245
Standard		IEC/IEEE							
Highest voltage for equipment	kV	24	36	52	72.5	123	145	170	245
Rated power-frequency withstand voltage	kV	50	70	95	140	230	275	325	460
Rated lightning impulse withstand voltage	kV	125	170	250	325	550	650	750	1050
Frequency	Hz	16.7/50/60							
Accuracy class		0.1 – 3; 3P; 6P							
Rated thermal limiting output	VA	≤ 1500				≤ 3000			
Max. simultaneous burden (cl. 0.2)	VA	200				300			
Max. number windings		3				5			

Type EOF		24	36	52	72	123	145	170	245
Height of unit*	A mm	1107	1107	1430	1430	2116	2392	2581	3507
Height to primary terminal*	B mm	1027	1027	1350	1350	1976	2252	2441	3206
Depth of unit including terminal box	C mm	526	526	526	526	710	710	730	938
Depth of unit base	D mm	360	360	360	360	500	500	500	660
Width of unit base	E mm	360	360	360	360	520	520	520	660
Distance between screw holes at base	F mm	310	310	310	310	450	450	450	600
Min. creepage distance*	mm	950	950	1860	1860	3080	3900	4394	6160
Approximate weight*	kg	115	115	125	125	305	330	400	610

* with standard composite silicone insulator, creepage distance 25 mm/kV



Highlights



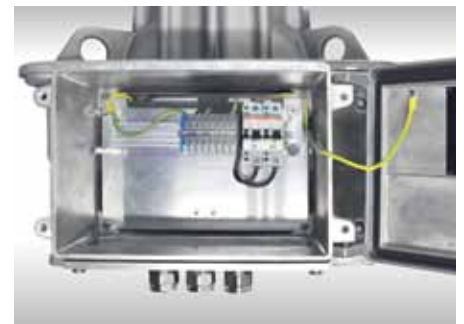
Fine graded bushing

- The fine graded bushing is designed to ensure an optimum distribution of the electric field.
- The bushing is fixed in a way, that it is short-circuit-safe and secondary arcs are prevented.



Excellent protection against moisture

- The inner side of the instrument transformer is protected against moisture by means of special sealing rings.
- All housings are designed with a drain-age area to protect the sealing surfaces of the housings against rain. This significantly reduces crevice corrosion.
- The housing elements are connected with special stainless steel screws. They are designed in such a way that no humidity can enter the screw hole.



Installation-friendly terminal box

- The generously sized terminal box with a cover that can be opened sideways, is secured with captive screws. It can accommodate terminal blocks, fuses, additional auxiliary contacts, and sealable covers.
- By default, all terminal boxes have a flange without holes. Cable glands can be preinstalled on request.
- An additional terminal box can be supplied on request.

Global presence

PIFFNER Instr. Transformers Ltd

5042 Hirschthal
Switzerland

☎ +41 (0)62 7392828
✉ sales@pmw.ch
💻 www.pfiffner-group.com/pch

PIFFNER Technologie Ltd

5042 Hirschthal
Switzerland

☎ +41 (0)62 7392828
✉ technologie@pmw.ch
💻 www.pfiffner-group.com/pte

PIFFNER Systems Ltd

4303 Kaiseraugst
Switzerland

☎ +41 (0)61 4676111
✉ info@pfiffner-systems.com
💻 www.pfiffner-systems.com

PIFFNER Deutschland GmbH

25524 Itzehoe
Germany

☎ +49 (0)48 21408270
✉ sales@pfiffner-messwandler.de
💻 www.pfiffner-group.com/pde

PIFFNER Transformatör A.S.

06750 Akyurt/Ankara
Turkey

☎ +90 (0)31 28475521
✉ info@pfiffner.com.tr
💻 www.pfiffner-group.com/ptr

PIFFNER do Brasil Ltda

88307-740 Itajai
Brazil

☎ +55 (0)47 33481700
✉ pfiffner@pfiffner.com.br
💻 www.pfiffner-group.com/pbr

MGC Moser-Glaser Ltd

4303 Kaiseraugst
Switzerland

☎ +41 (0)61 4676111
✉ info@mgc.ch
💻 www.mgc.ch

ALPHA Elektrotechnik Ltd

2560 Nidau
Switzerland

☎ +41 (0)32 3328700
✉ mail@alpha-et.ch
💻 www.alpha-et.ch

This document has been drawn up with the utmost care. We cannot, however, guarantee that it is entirely complete, correct or up-to-date. ©Copyright PFIFFNER / Subject to change without notice 2017.04



PIFFNER

Current and voltage – our passion

HV HIGH VOLTAGE

MV MEDIUM VOLTAGE

LV LOW VOLTAGE